

About Arcatron 2000

Arcatron 2000 is an indoor heavy-duty roll-over commode wheelchair, designed for users having a maximum weight of 150 kg. The chair is to be used only after reading and understanding this user manual. If some parts of the manual are not understood, clarification should be sought before using the product.

The updated manual can be accessed online at Arcatron 2000's product page on www.arcatron.com. Failure to entirely comply with this manual may result in injury or damage and Arcatron Mobility will be not be liable for the same in any way.

Arcatron 2000 has been designed for people with acute limitations in their ability to walk safely. Example of user profiles include but are not limited to the following:

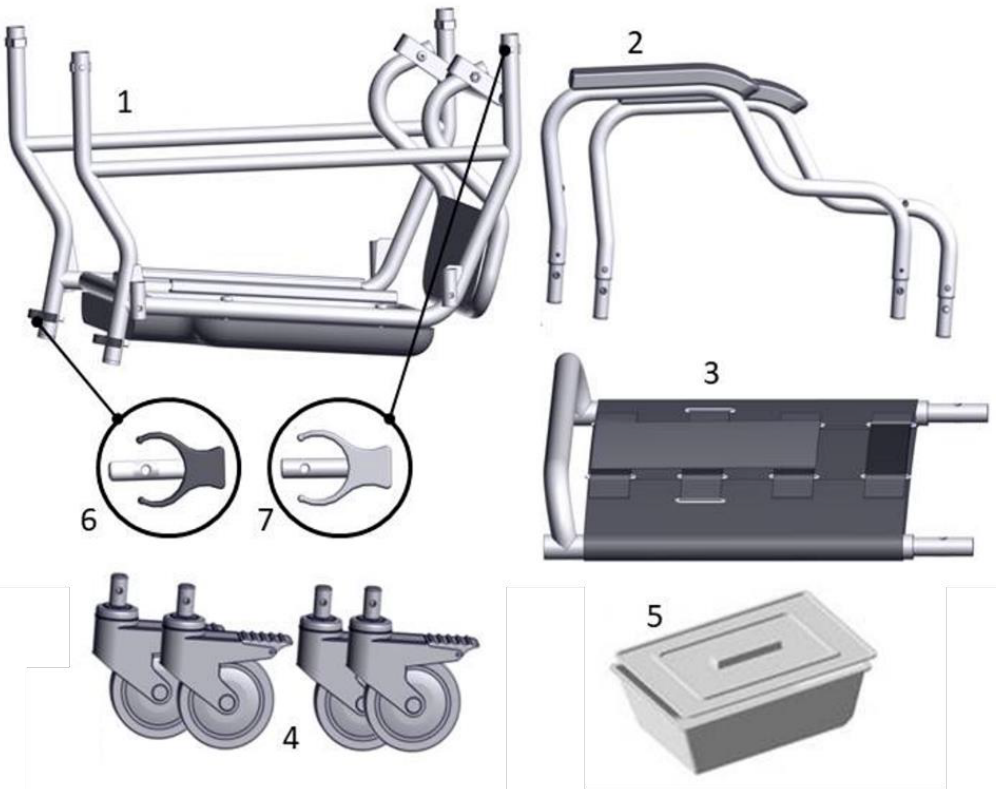
- 1) Senior citizen
- 2) People who have lost mobility due to the following conditions:
 - Muscular dystrophy
 - Post-surgery recuperation
 - Degenerative diseases which hampers motor control
 - Acute arthritis
- 3) People with orthopedic injuries
- 4) Pregnant women

Table of contents

What you have in the box	3
Safety guidelines	4
General safety guidelines	4
Shifting to and off of the chair.....	4
Slopes and ramps	5
Precautions while maneuvering	5
Storage	5
Consultation with physiotherapist	6
Assembly procedure	7
Checks before you begin	11
C-pin fitting	11
Armrest handle	12
Backrest pin	13
Functioning and adjustments	14
Armrest.....	14
Castor brakes	15
Backrest tension	16
Bedpan	17
Maintenance and care	18
Troubleshooting	19
Accessories	20
Top seat cushion	20
Seatbelt	21
Seatbelt assembly	22

What you have in the box

Part no.	Component	Quantity
1	Seat Frame	1
2	Armrests	2
3	Backrest Frame	1
4	Castor Wheels	4
5	Commode Pan	1
6	Black C-Clip	2
7	Gray C-Clip	4



Safety guidelines

General safety guidelines

Only one person shall occupy the chair at a given point of time. The maximum permissible user weight is 150 kg. This limit shall not be exceeded.

Do not make any modifications to the chair (e.g. replacing any component, drilling holes in the chair, removing any component from of the chair, etc.). Doing this can compromise user safety.

Do not wear clothing with sharp edges as they could damage the seat cushion.

Do not bump the chair on walls, doors, etc. as it may damage the chair.

The chair is not designed to be a pool chair. Don't immerse this wheelchair in part or whole, in any corrosive liquid as it may lead to damage.

Do not stand on any part of the chair (footrest, seat, any link, castor wheels, etc.).

Shifting to and from of the chair

The most dangerous part associated while using any commode chair is transfers. Test transfers should be performed on the chair with the help of an attendant. The attendant can hold the chair and prevent it from moving or tipping during the tests.

It shall be ensured that all caster wheel locks are locked in the outward position before shifting to or from the wheelchair. Never attempt to transfer unless all the brakes of the chair are applied.

It is recommended that transfers to/from this wheelchair are carried out on dry, non-slippery surfaces. Always inspect the chair before performing transfers.

Never use the footplate to assist in transfers. This is extremely hazardous and may cause the chair to topple resulting in injury.

Slopes and ramps

This wheelchair is not meant for outdoor use and especially over uneven surfaces (obstacles > 10 mm).

The maximum allowed floor slope with this chair is 5°.

Do not lean forward while sitting on the chair as it may cause the chair to tip.

Ensure that the attendant holds onto the chair during descents.

Do not use the chair on side slope as it may cause the chair to tip.

Test the chair for different ramps and slopes with the help of an attendant. Ensure that the stability of the chair is not compromised on such surfaces.

Precautions for attendants

While performing any activity ensure that the user is comfortable. Tell the user what you plan to do beforehand and explain what you expect from them.

Do not leave the chair unattended when a person is sitting on the chair.

While clearing any curb, it is recommended to pull the wheelchair instead of pushing.

Be careful when tilting the wheelchair while the user is still sitting in it.

Storage

Store the wheelchair in dry conditions (Ambient Temp: 0-45 °C Relative humidity: 30%-70%) and keep away from sunlight.

Consultation with physiotherapist

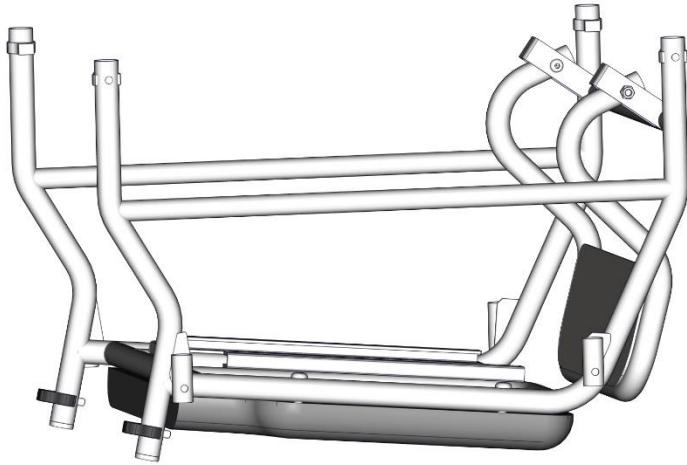
Consult with the user's doctor or therapist to learn safe practices best suited to the attendant's abilities and those of the user.

Long periods of sitting shall be avoided without consulting a doctor or a professional physiotherapist.

It is strongly recommended to review and learn the necessary transfer techniques with the help of consultant physiotherapist before using this wheelchair.

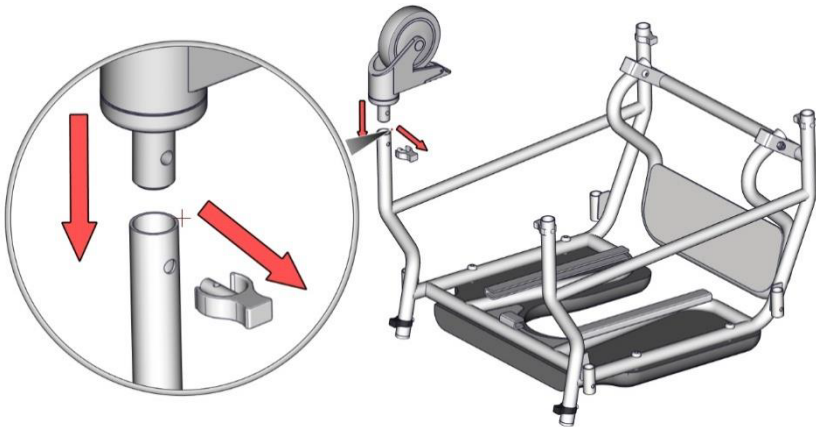
Assembly procedure

Step 1:

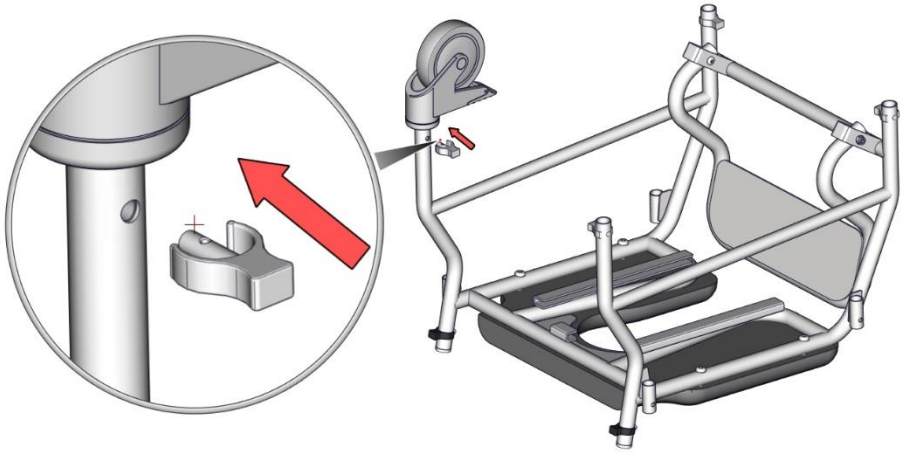


Remove all the wraps and packaging material off the product. Keep the seat frame upside down on a smooth and clean surface.

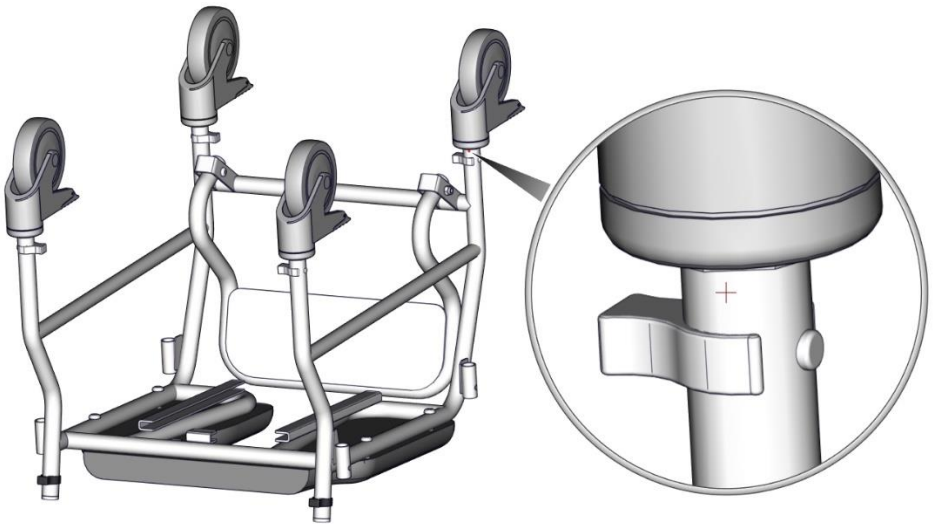
Step 2:



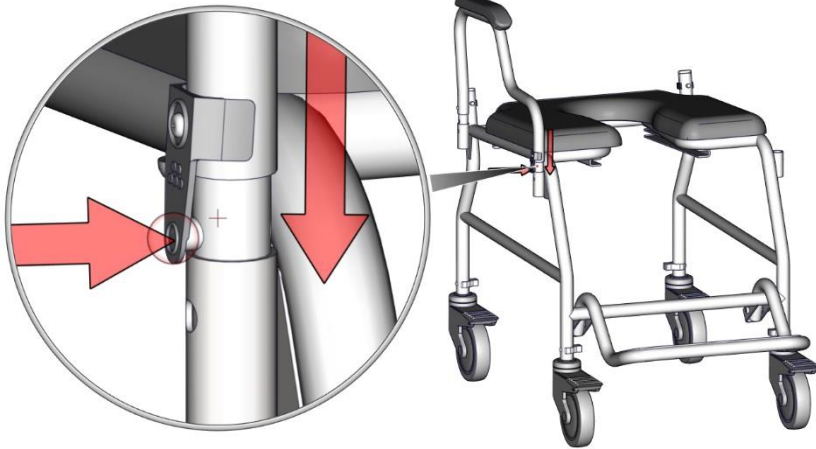
Remove the Gray C-clip from the frame and insert the Castor wheel in the base pipe.

Step 3:

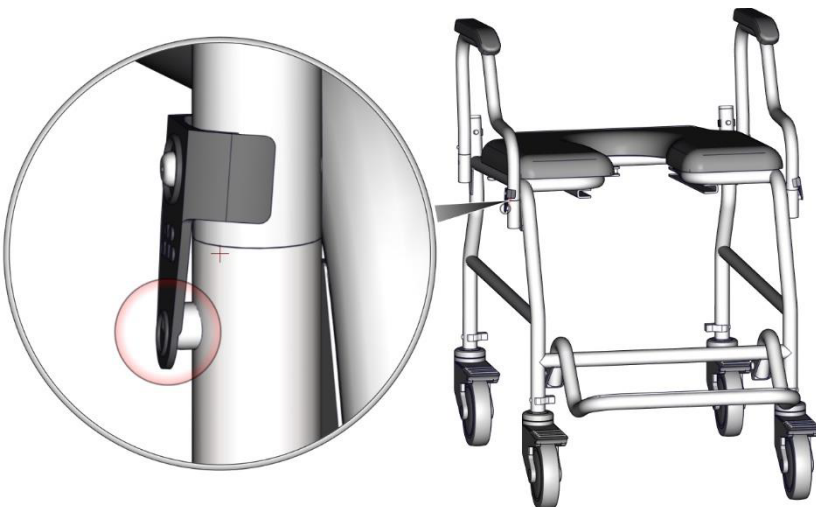
Align the holes on the Castor wheel and base pipe. Insert the Gray C-clip back, from the frame's inner side.

Step 4:

Repeat the same procedure for the remaining castor wheels. Ensure that the C-Clip's gripping side is on the frame's inner side.

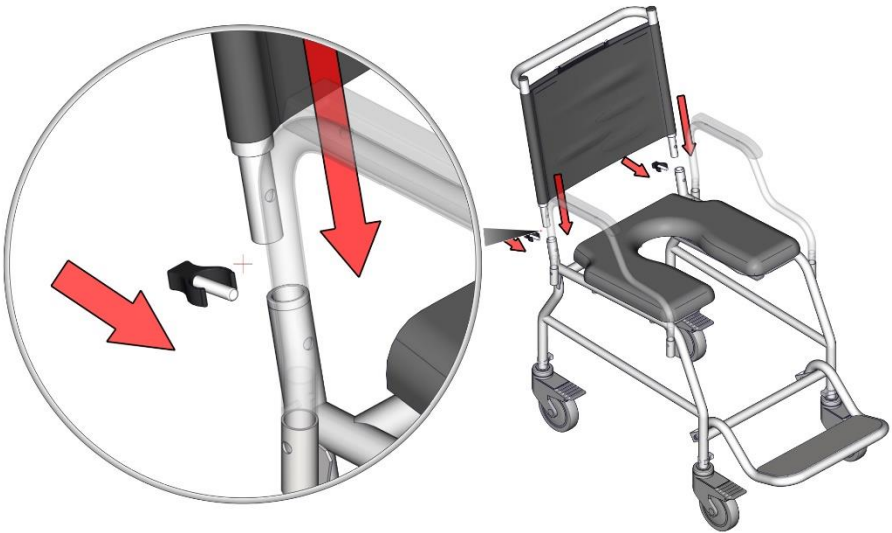
Step 5:

Flip the chair onto its wheels. Insert the armrest into its sockets. Insert both ends of the armrest simultaneously to ensure easy entry. Press the button on armrest and push the pipe further down until it locks. Keep fingers away from the socket's upper edge to avoid any risk of pinching.

Step 6:

Repeat the same procedure for the other armrest.

Step 7:



To assemble the backrest, remove Black C-Clip first. Insert the backrest and insert the C-pins as shown in image. Insert both ends of the backrest simultaneously to ensure easy entry. Make sure C-pin goes all the way through and comes out on the other side.

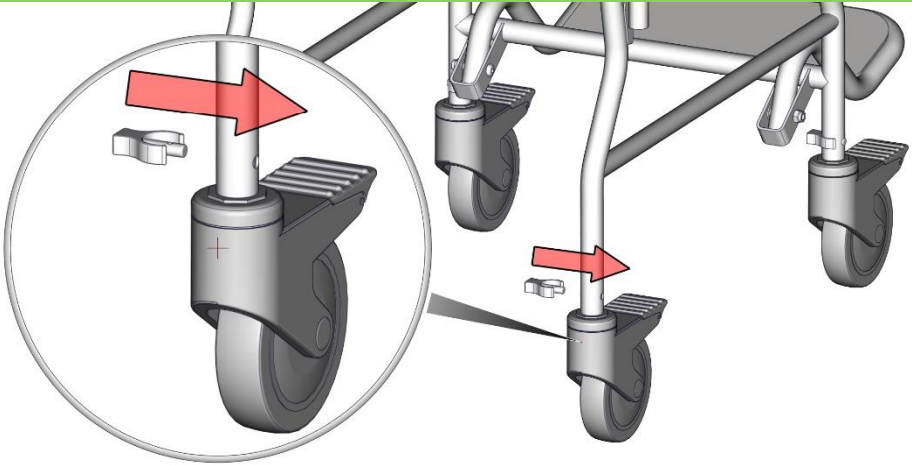
Your chair is now ready to use.



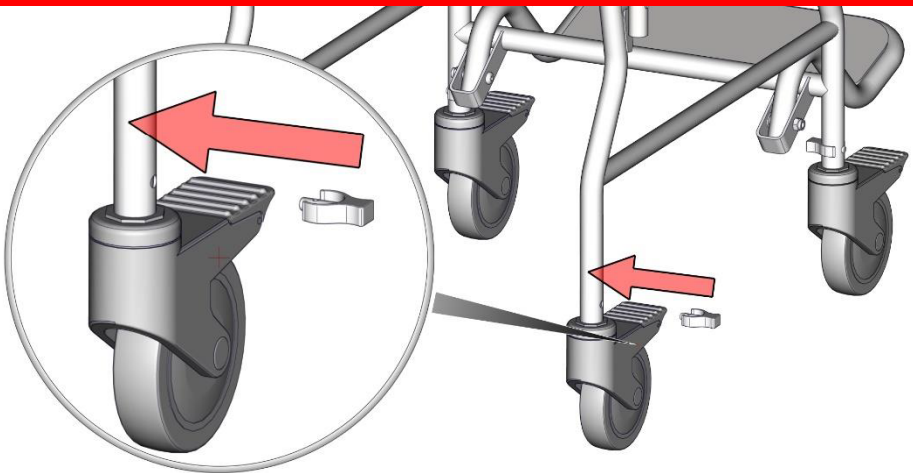
Checks before you begin

C-pin assembly

Correct

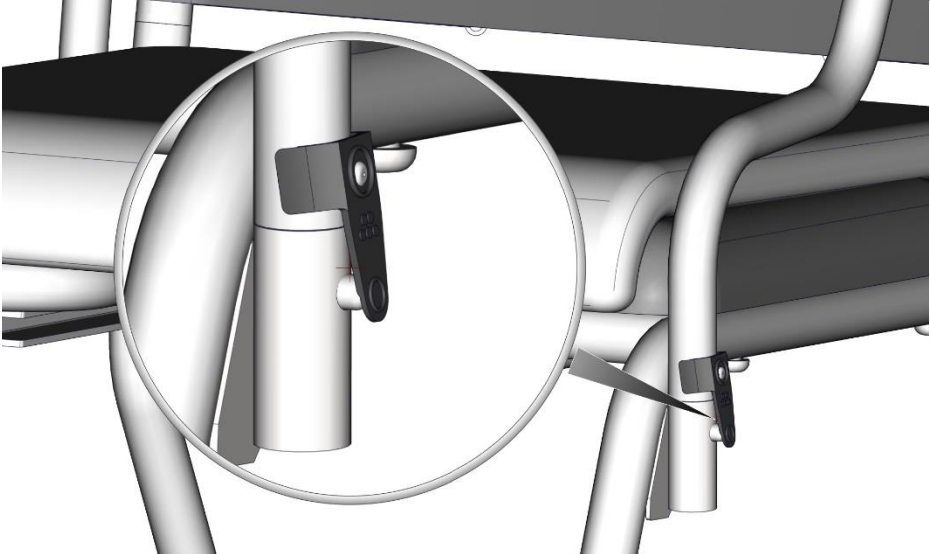


Wrong



Armrest handle

Correct

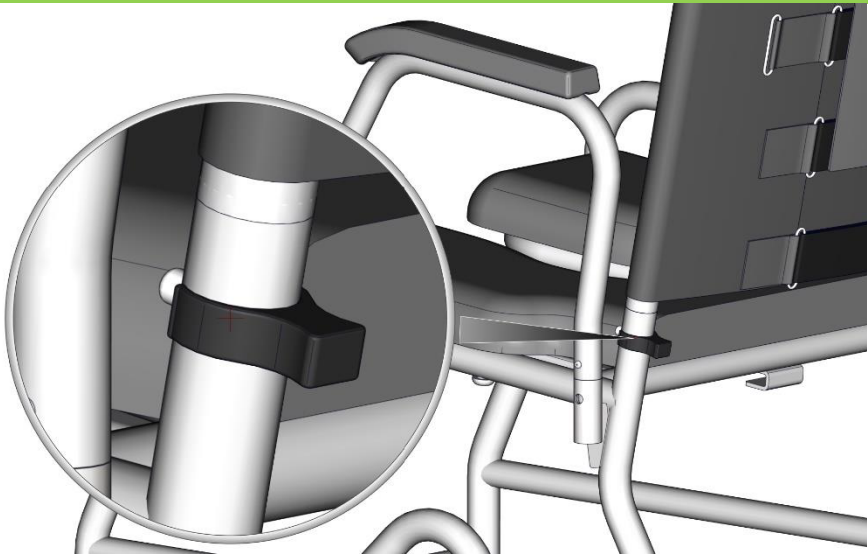


Wrong

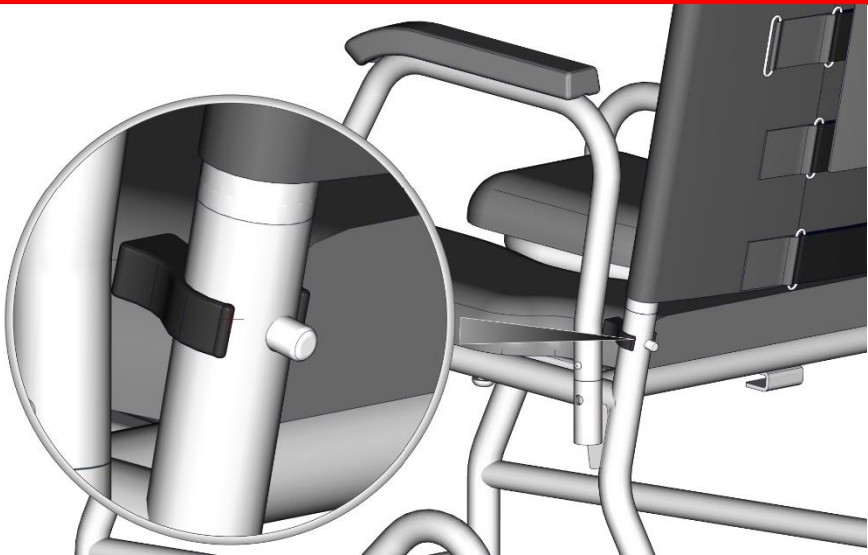


Backrest pin

Correct

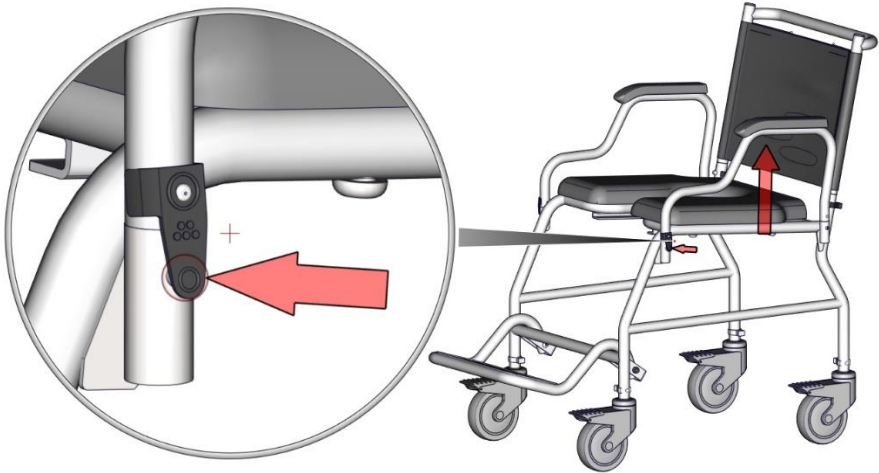


Wrong

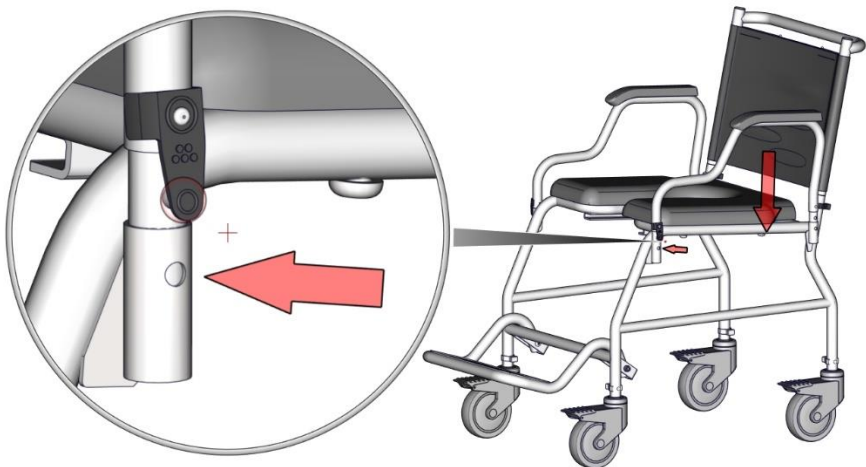


Functioning and adjustments

Armrest

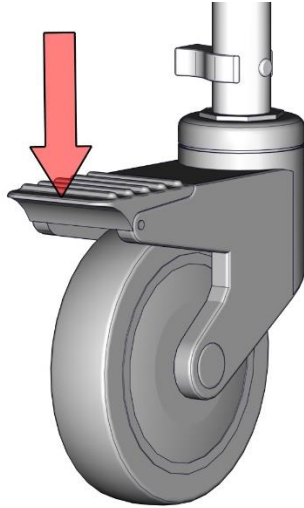


Removal: Press the button on the front part of the arm rest and pull the armrest upwards to remove it from the sockets.



Insertion: While inserting the armrest, ensure that both tubes are aligned. Keep fingers away from the socket's upper edge to avoid any risk of pinching.

Castor brakes

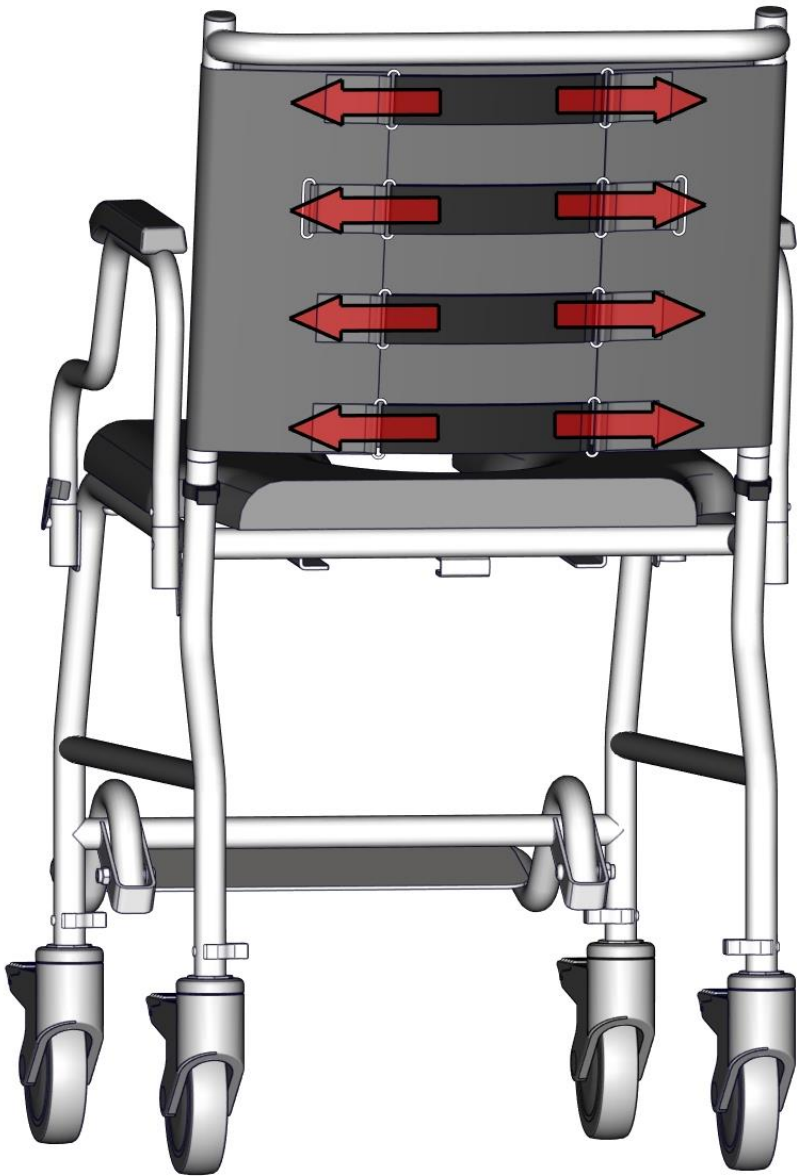


Locking: Push the lever on the castor wheel downwards till it locks. This will restrict the wheel from rolling and swiveling.



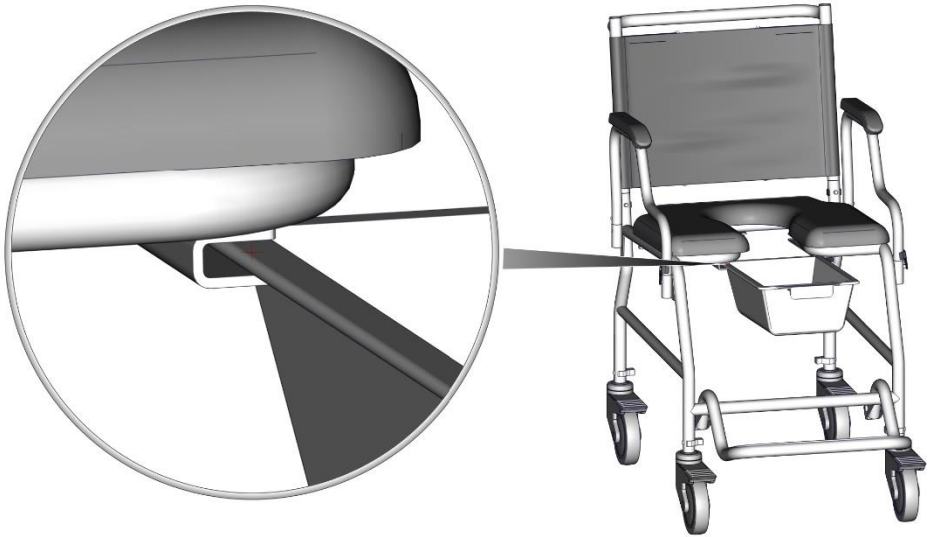
Unlocking: For unlocking, press the lever back up. (Note: Only use your foot to move the lever. Wear footwear while doing so to avoid injury.)

Backrest tension

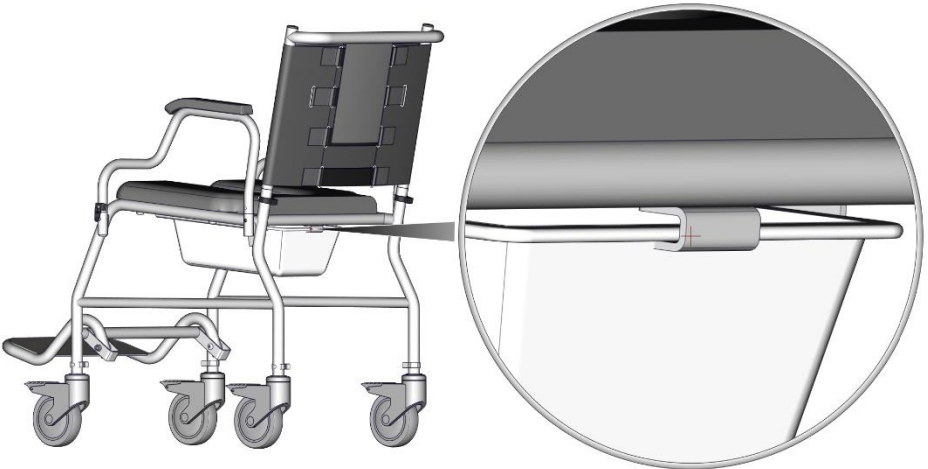


There are four belts for adjusting the backrest's tension as required by the user. Adjust the length of the velcro belt to adjust the tension as required.

Bedpan



While placing the bedpan ensure that it slides into the guides on both sides.



Ensure that the bedpan latches on to the back insert as well.

Maintenance and care

Clean the chair at least once a month. Use a soft clean cloth to clean the chair. Use a mild cleaning agent (e.g. – soap solution) if required.

Do not use abrasive cleaning agents which contain acids, thinners, bleach etc.

Do not clean the chair with cleaners made of coarse steel wool, metal meshes or balls, metal brushes, etc.

To clean the wheels, disassemble the chair first, remove the wheels from the chair and then clean the wheels.

Store the chair in a cool and dry area.

Inspect the chair thoroughly every month for any wear or damage.

Troubleshooting

If there are some parts of the chair that are not functioning as they should be, please follow the steps given below:

Problem	Cause	Action
Castor wheel jammed	Bearing damage	Contact support
Armrest attaches or detaches with difficulty	Deposition in the joint	Clean the joint
	Deformation of the armrest	Contact support
Deformation in any part of the chair	Bumping on some object	Contact support
Spillage	Liquid or food spill on the cushion	Clean with a wet cloth.

Note: In the case of any serious incident regarding the wheelchair, please contact support. All customer queries will be handled through the Customer Relations Portal at www.arcatron.com/support/rma/

Accessories

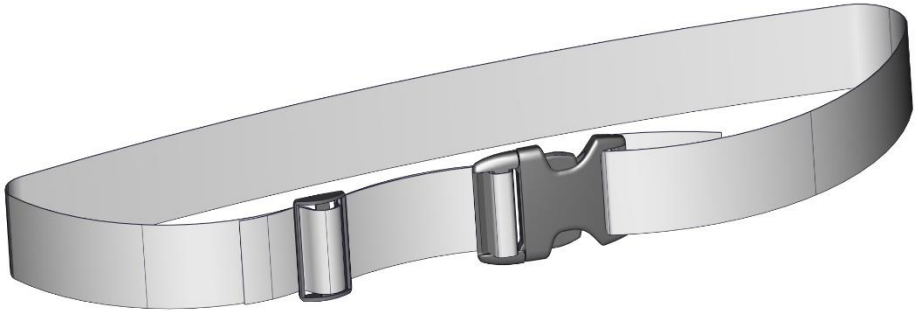
The following section is about the accessories available with Arcatron 2000. These accessories are not available with the standard model and can be purchased by contacting your nearest vendor or contacting us through arcatron.com

Top seat cushion

The commode wheelchair can be used as a normal wheelchair by adding the top seat cushion. The cushion offers extra comfort to the user.

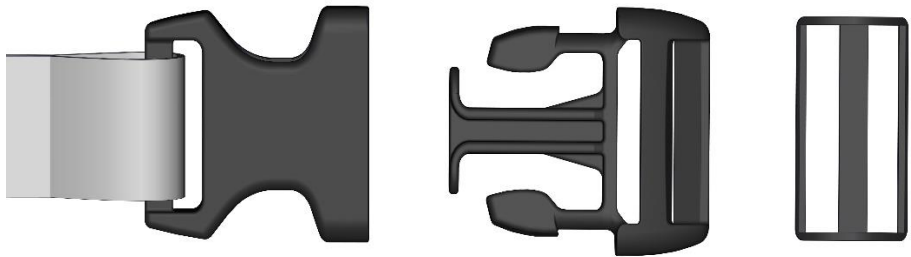


Seatbelt



The seat belt is used as a supporting mechanism for the user. While in transit the seat belt can be used to keep the user upright and also keep the user safe. The belt comes with three parts:

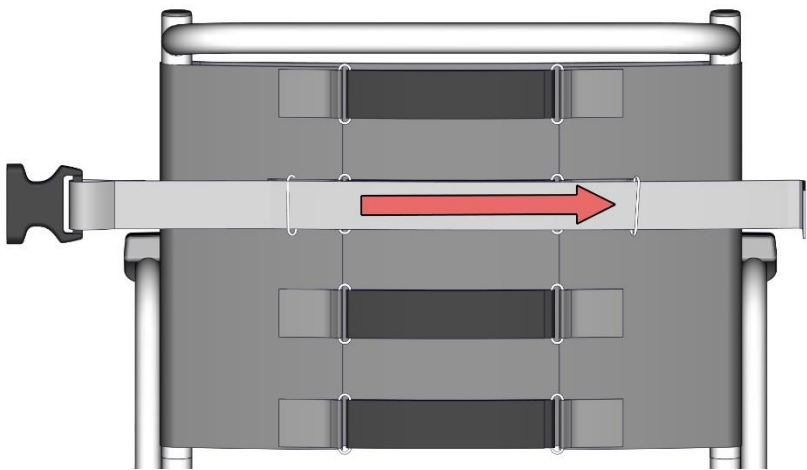
- 1)The belt with the female socket attached.
- 2)The buckle
- 3)Tensioner



Note: For assembling the belt in to the chair, please turn over.

Seatbelt assembly

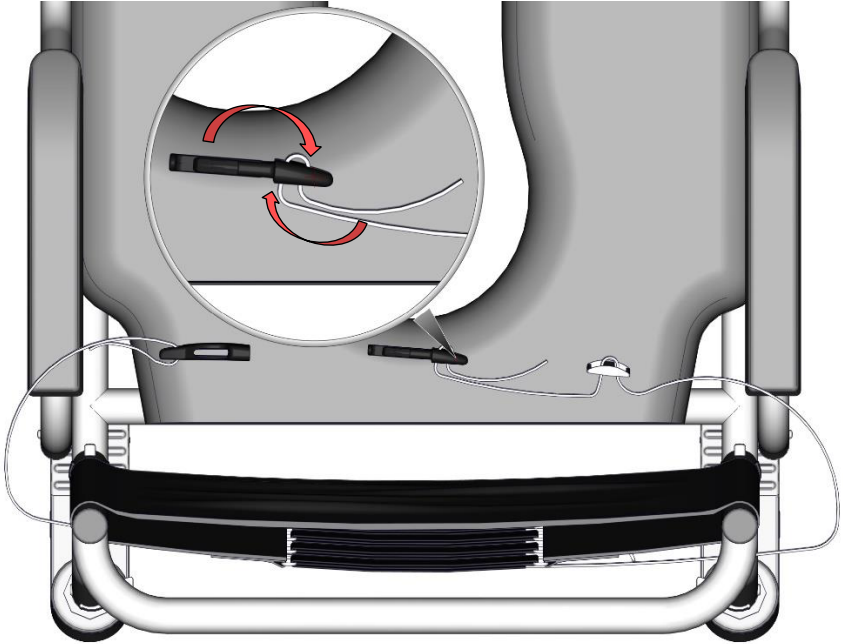
Step 1:



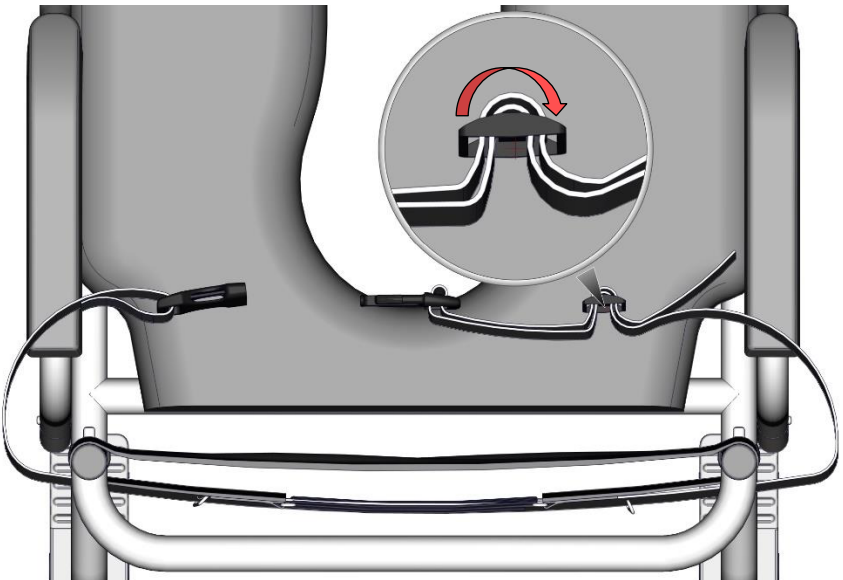
Step 2:



Step 3



Step 4



And the seatbelt is ready to use.



Personal Notes _____
