

Table of Contents

Introduction	1
What's in the box	3
Assembly Instructions.....	4
Maintenance and care	15
Warranty card.....	16
Notes	17

SAFETY GUIDELINES:

INTRODUCTION:

Arcatron SAS100/SSS100 Shower and Commode wheelchair is to be used only after reading and understanding this user manual. If some parts of the manual are not understood, clarification shall be sought prior to using the product. Updated manual can be accessed online at our website www.arcatron.com product page. Failure to comply with this manual fully, may result in injury, damage and warranty void and we will be in anyway not liable for the same.

DO's

- ☒ This wheelchair is designed and meant to be used indoors including but not limited to accessible bathrooms for persons weighing up to 90 kg.
- ☒ The most dangerous part associated with using any shower chair is transfers. It is strongly recommended to review and learn the necessary transfer techniques with the help of consultant physiotherapist before using this wheelchair.
- ☒ Long period of sitting shall be avoided without consulting from a doctor or a professional physiotherapist.
- ☒ It shall be ensured that all caster wheel locks are engaged while in outward position before shifting to or from the wheelchair.
- ☒ It is recommended that transfers to/from this wheelchair is carried out on dry, non-slippery surfaces.
- ☒ If used as a Self-Propelled wheelchair (using Arcatron SSS100 Expansion Pack), the big wheels shall be locked along with casters while shifting from/to the wheelchair.
- ☒ If any need for maintenance is felt, it is recommended that users/caregivers shall contact nearest Arcatron distributor or reach us out on contact@arcatron.com.
- ☒ It is recommended to use straps/restraints while constrained on the wheelchair.
- ☒ Store the wheelchair in only dry conditions (Ambient Temp: 0-45 °C Relative humidity: 30%-70%) and keep away from direct sunlight

DONT's

- ☒ This wheelchair is not meant for outdoor use and especially over uneven surfaces (depressions/bump > 10 mm).
- ☒ This wheelchair shall not be used unsupervised without taking consent and guidelines from consulting doctor or a professional physiotherapist.
- ☒ Don't immerse this wheelchair in part or whole, in water or any other liquid as it may lead to damage of the components.
- ☒ Don't ever use the footplate to assist in transfers. This is extremely hazardous and causes the chair to topple resulting in injury.
- ☒ Don't lean too much in front while sitting on the wheelchair to avoid tipping
- ☒ Don't tilt or lift the wheelchair in part or whole while the user is sitting on it.
- ☒ Don't reach the hinge areas to avoid pinching hazards.
- ☒ Don't push or pull the wheelchair up or down ramps that exceed 1:12 grade (5-degree slope)

In the box:

1. Seat frame with Seat Cushion
2. Backrest frame with Armrests
3. Rear Caster Pipes
4. Front Caster Pipes (With a Bent pipe)
5. Footrest Pipe with footrest plate
6. Footrest Restraint
7. C-Pin
8. Quick Release Clip

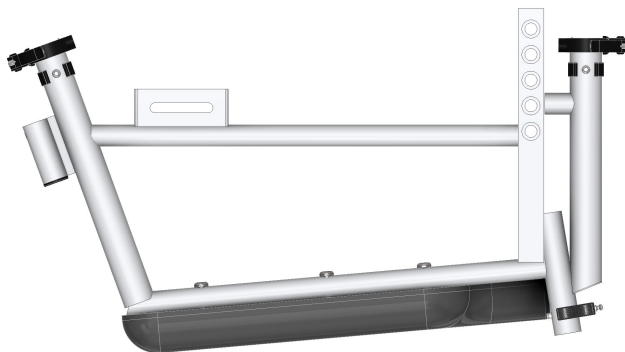
If bought as self-propelled series then,

9. Mag-wheels
10. Quick release axle



ASSEMBLY INSTRUCTIONS

Keep the Seat Frame upside down on a smooth and clean surface.

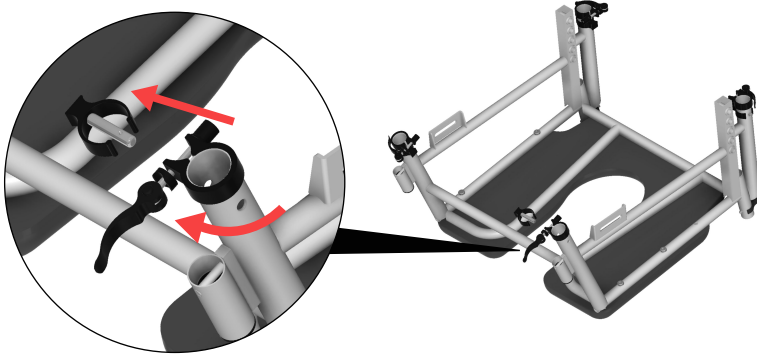


Difference between front and back caster pipes

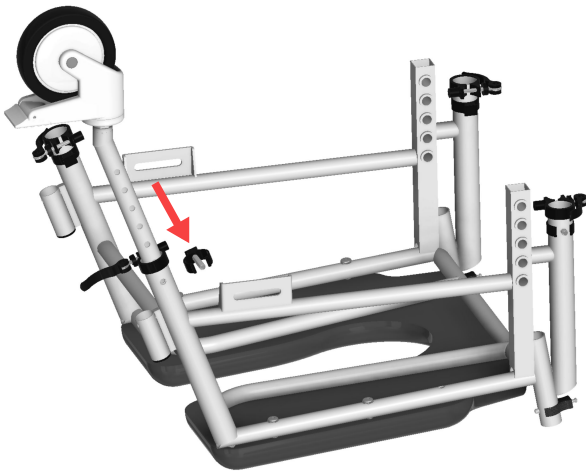


Insert front caster pipe:

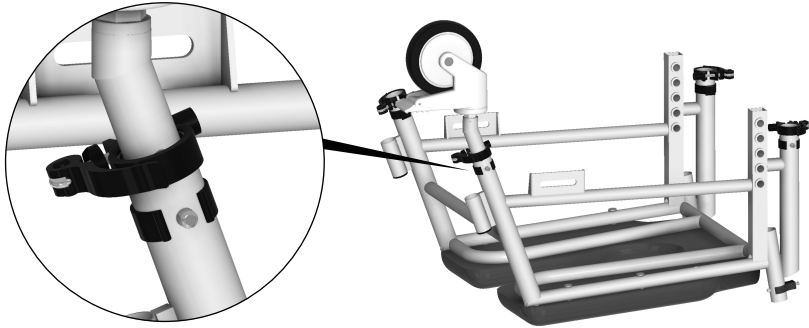
Release the Quick release tab. Remove the C-pin.



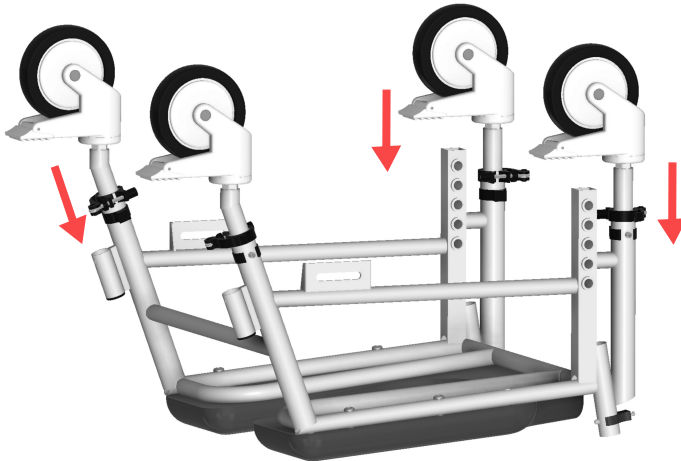
Insert the castor pipe and adjust it to the required height.



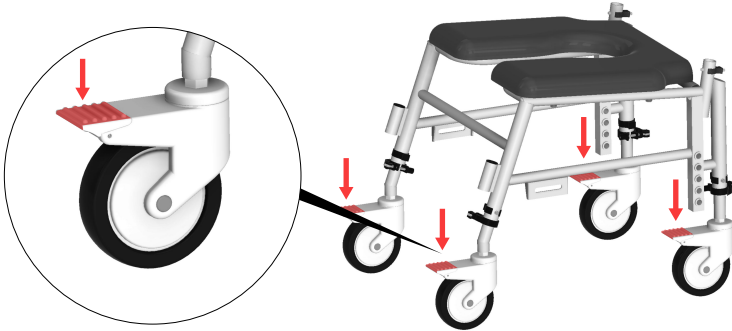
Align the hole of castor pipe with the hole on frame and insert the C-Pin. Close the Quick release tab. Make sure the Caster pipe is fixed and there is no play.



Repeat the same process for rest three castor pipes. Make sure all pipes are at same levels.



Flip the chair right side up. Engage all the brakes on caster wheels. Pic shows how to engage brakes.

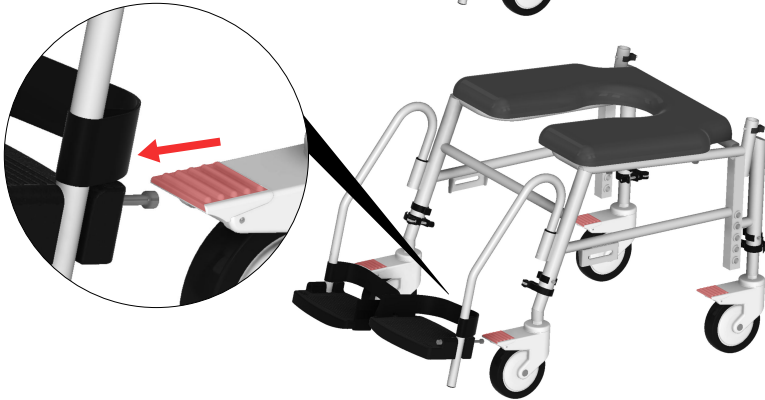


Assemble the Footrests by inserting the pipe's spotted end into the Footrest Socket and unfold the footplates.



Height adjustment of footrest:

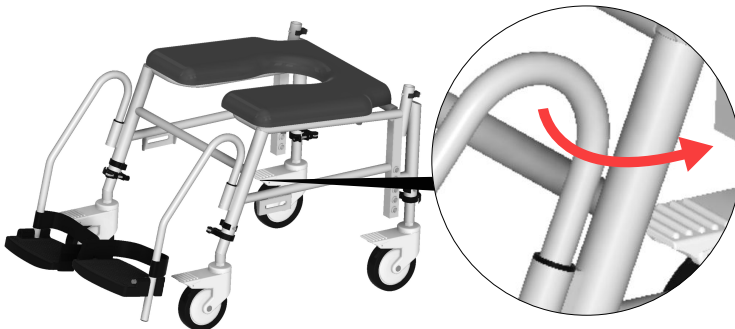
There are 3 levels of height adjustments in footrest. Height of footrest can be adjusted with the help of C-pin



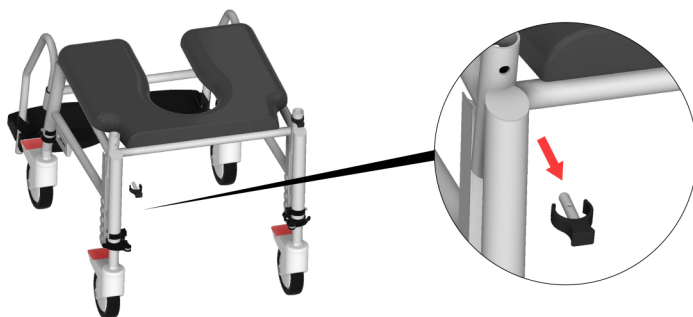
Setting up the footrest restraint: Make sure Velcro side comes behind. Fold the flaps inside to attach the footrest restraint. The tension in the footrest can be adjusted with the help of Velcro.



To swivel the footrest inside or outside, lift it and turn it inside or outside.



To assemble the backrest, remove the C-pins.



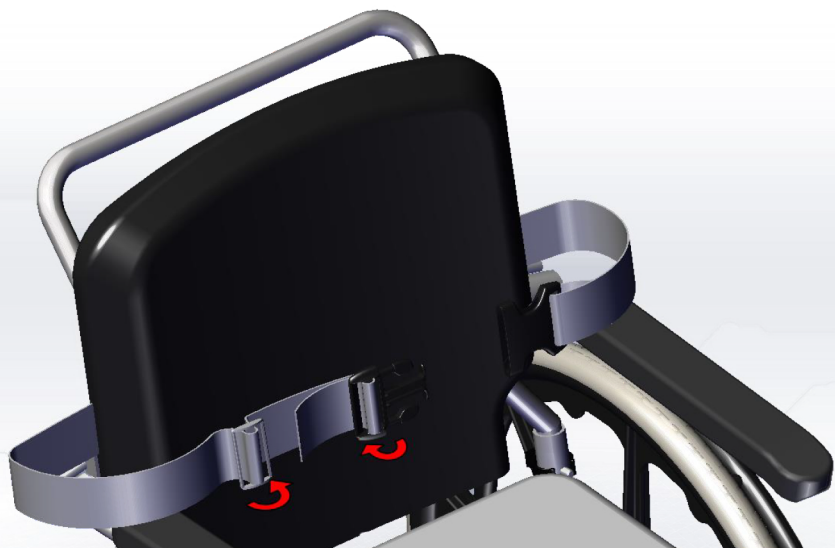
Insert the backrest and align the hole on backrest with the hole on frame



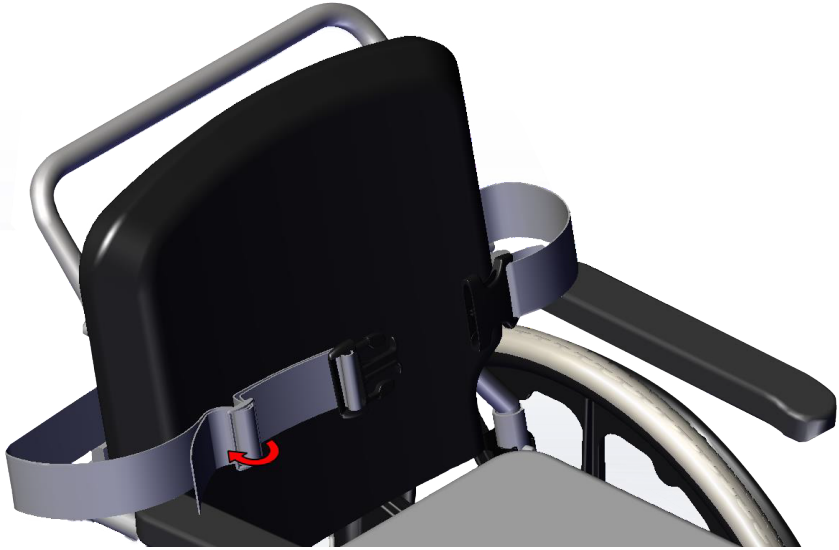
Insert the C-pins:



Insert seat belt from tensioner and buckle



Reroute Belt from tensioner

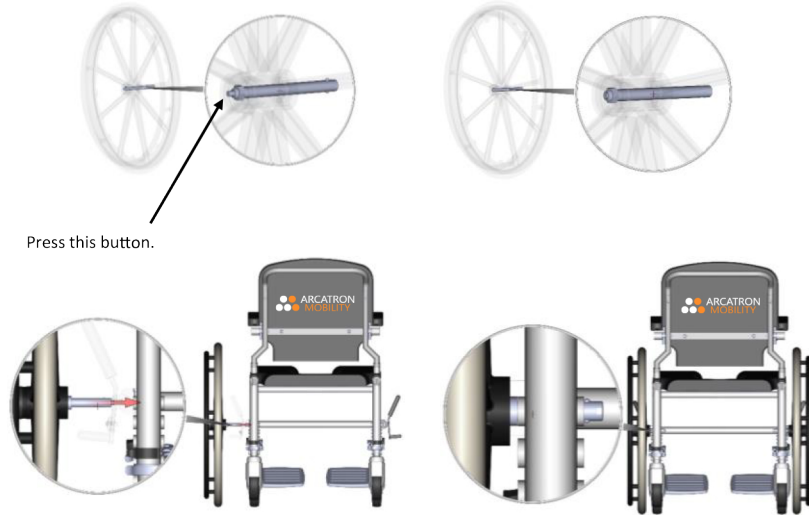


Your chair is ready for use!

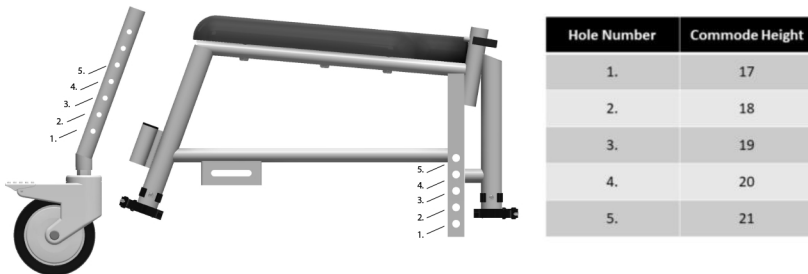


For SAS users/ if you have extension

Press the Button on the quick release axle in the big wheel. Pass the Axle through the required hole. Make sure it passes all the way and is properly locked.

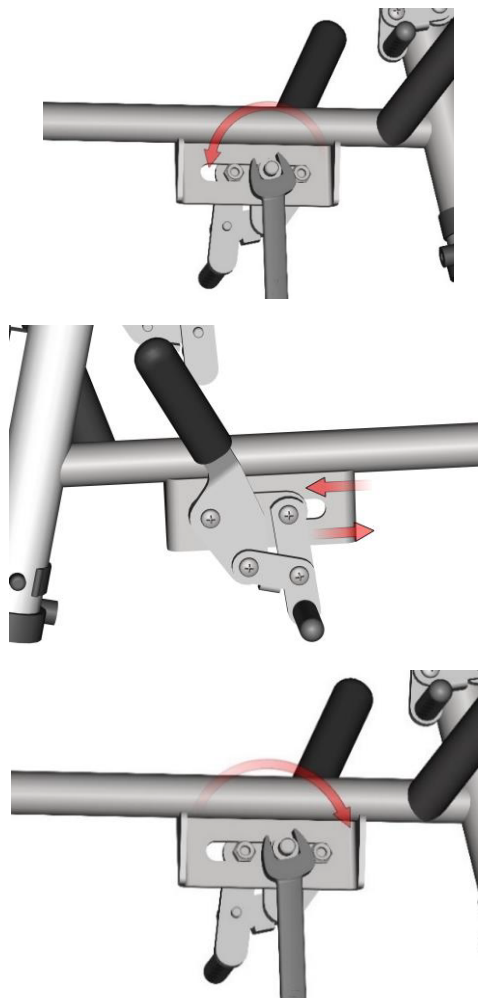


Make sure both the big wheels are at same height. And also Make sure the Caster Wheels are in the holes as shown below.



Fixing the brakes:

Loosen the Nut with the Spanner. Slide the Brake assembly forward and Backward and find the proper position at which the brakes lock properly. Tighten the Nut with the Spanner.



Maintenance and care

Clean the chair at least twice a month. Always use a soft clean cloth to clean the chair.

Use a mild cleaning agent & apply rust preventive oil after every clean to prevent metals from the effects of corrosion (e.g. – Soap solution & Rust preventive oil) if required.

Do not use abrasive cleaning agents that contain acids, thinners, bleach etc.

Do not clean the chair with cleaners made of coarse steel wool, metal meshes or balls, metal brushes, etc.

To clean the wheels, disassemble the chair first, remove the wheels from the chair and then clean the wheels.

Store the chair in a cool and dry area.

Inspect the chair thoroughly every month for any wear or damage.

Troubleshooting

If there are some parts of the chair that are not functioning as they should be, please follow the steps given below:

Problem	Cause	Action
Castor wheel jammed	Bearing damage	Contact support
Armrest attaches or detaches with difficulty	Deposition in the socket	Clean the socket
	Deformation of the armrest	Contact support
Deformation in any part of the chair	Bumping on some object	Contact support
Spillage	Liquid or food spill on the cushion	Clean with a wet cloth.



Warranty Certificate

Owner's Name:

Date of Purchase: DD / MM / YYYY Serial No.

Invoice No. _____

City: _____

Contact no. _____

E-mail:

Limited Lifetime Warranty Terms

Arcatron Mobility Pvt. Ltd. ("Arcatron") warrants this product against failure due to defects in materials or workmanship under normal use and maintenance.* Warranty is covered as per the terms mentioned on our website and our product page. Kindly register your product within 30 days of receipt to activate your warranty and read the warranty terms from <https://arcatron.com/legal>. Please preserve the User manual and purchase invoice for claiming your warranty.

Seller/Dealer Signature & Stamp

*T&C Apply

